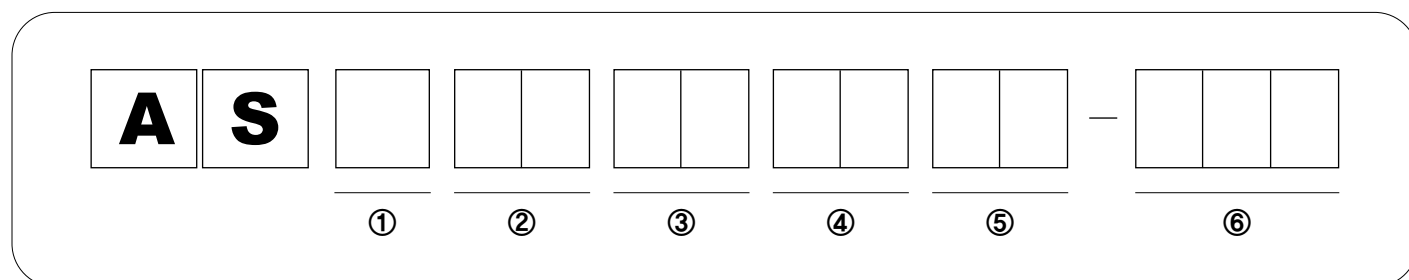


Product Code System



1. Shape

CODE	Shape
Q	$\lambda/4$ Type (Quarter Type)
G	Gas tube Type

2. Start Frequency

CODE	Start Frequency
00	DC
01	100MHz
.	.
10	1000MHz
.	.
58	5800MHz
.	.

3. Stop Frequency

CODE	Stop Frequency
00	DC
01	100MHz
.	.
10	1000MHz
.	.
58	5800MHz
.	.

4. Left Connector Type

CODE	Left Connector Type
28	BNC50
30	TNC50
34	N50
35	N75
36	F75
37	7/16 DIN
XX	Others

5. Right Connector Type

CODE	Right Connector Type
28	BNC50
30	TNC50
34	N50
35	N75
36	F75
37	7/16 DIN
CA	CABLE TYPE
SL	SOLDER END
XX	Others

6. Serial Number

CODE	Serial Number
nnn	Any combination of Option Codes will be replaced by 3 digits Serial Number according to the development sequence for each model.

Customer Inquiry Form

1. Customer Information

Author Name	
Company	
Phone	
Fax	
E-mail	

2. Electrical Specifications

Frequency Range	
Insertion Loss (max)	
V.S.W.R (max)	
Surge Current	
Spark Voltage	
Input Power (max)	
Port Connectors (LEFT/RIGHT)	/
Surface Painting/Plating	

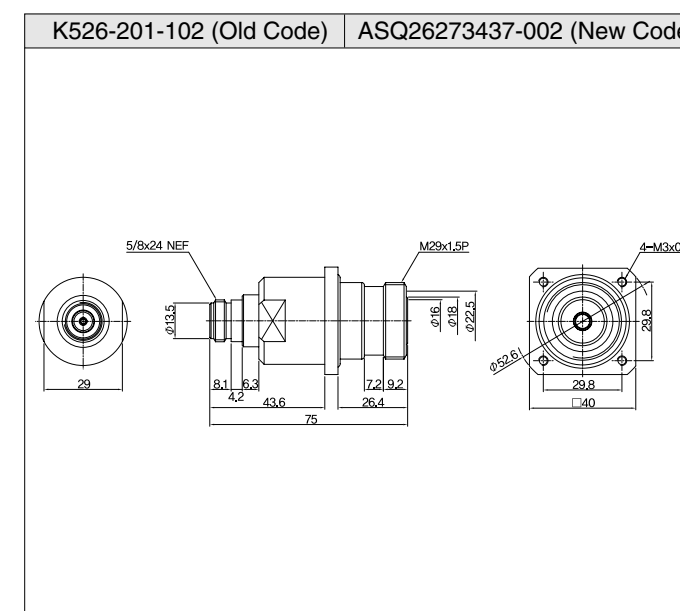
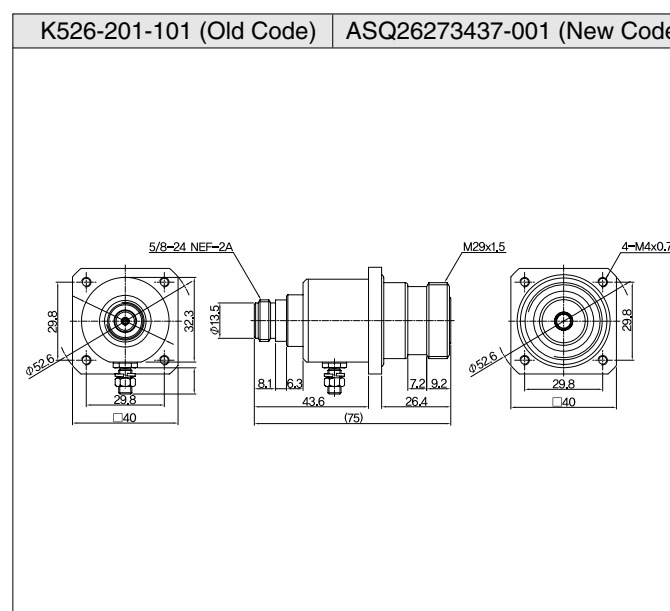
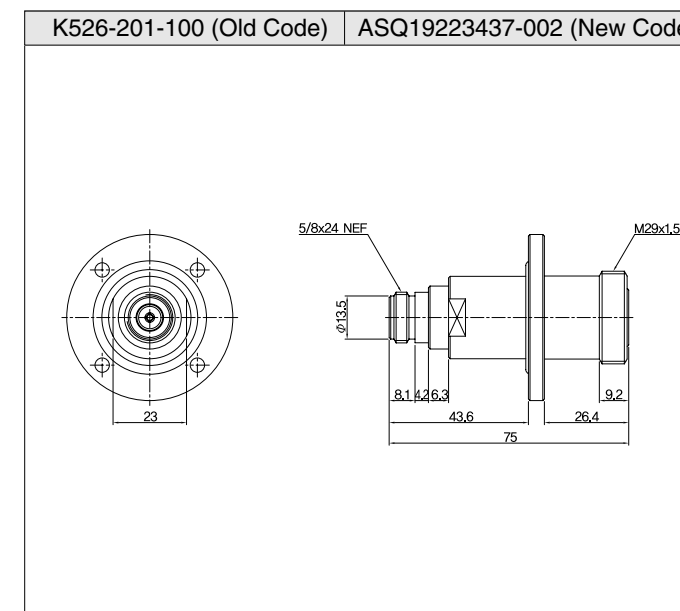
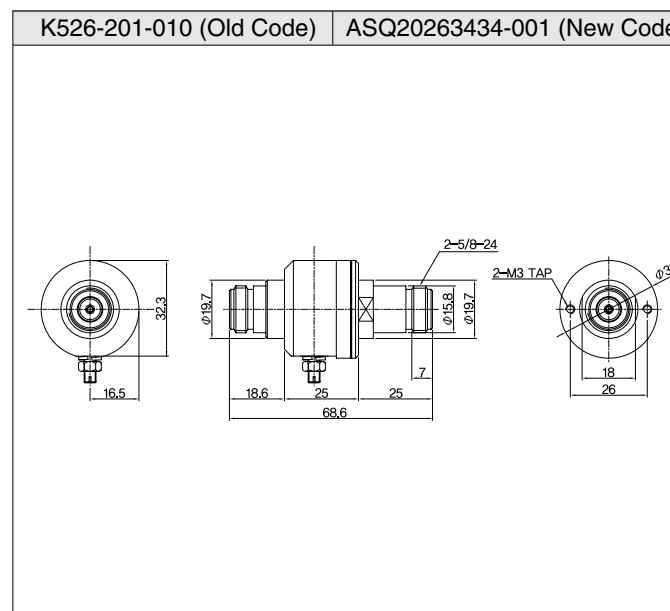
3. Other Information

Products Reference Table

Product Code (Old)	Product Code (New)	Frequency Range (MHz)	Shape
K526-201-010	ASQ20263434-001	2000 ~ 2600	$\lambda/4$ Type (Quarter Type)
K526-201-100	ASQ19223437-002	1900 ~ 2200	$\lambda/4$ Type (Quarter Type)
K526-201-101	ASQ26273437-001	2630 ~ 2655	$\lambda/4$ Type (Quarter Type)
K526-201-102	ASQ26273437-002	2630 ~ 2655	$\lambda/4$ Type (Quarter Type)
K526-201-103	ASQ19223437-001	1900 ~ 2200	$\lambda/4$ Type (Quarter Type)
K526-201-CP1	ASQ08203737-001	800 ~ 1000, 1700 ~ 1990	$\lambda/4$ Type (Quarter Type)
K526-201-P00	ASQ17193434-001	1700 ~ 1900	$\lambda/4$ Type (Quarter Type)
K526-201-P01	ASQ17193434-002	1700 ~ 1900	$\lambda/4$ Type (Quarter Type)
K526-201-002	ASG00253434-001	DC ~ 2500	Gas tube Type
K526-201-003	ASG00253434-002	DC ~ 2500	Gas tube Type
K526-201-004	ASG00253434-003	DC ~ 2500	Gas tube Type
K526-201-007	ASG00203434-001	DC ~ 2000	Gas tube Type
K526-201-008	ASG00253434-004	DC ~ 2500	Gas tube Type
K526-201-009	ASG00203434-002	DC ~ 2000	Gas tube Type
K526-201-011	ASG00253434-005	DC ~ 2500	Gas tube Type
K526-201-012	ASG00253434-006	DC ~ 2500	Gas tube Type
K526-201-013	ASG23243434-001	2300 ~ 2400	Gas tube Type
K526-201-300	ASG00303437-001	DC ~ 3000	Gas tube Type
K526-201-301	ASG00303437-002	DC ~ 3000	Gas tube Type
K526-205-000	ASG00102828-001	DC ~ 1000	Gas tube Type

Arrestor ($\lambda/4$)

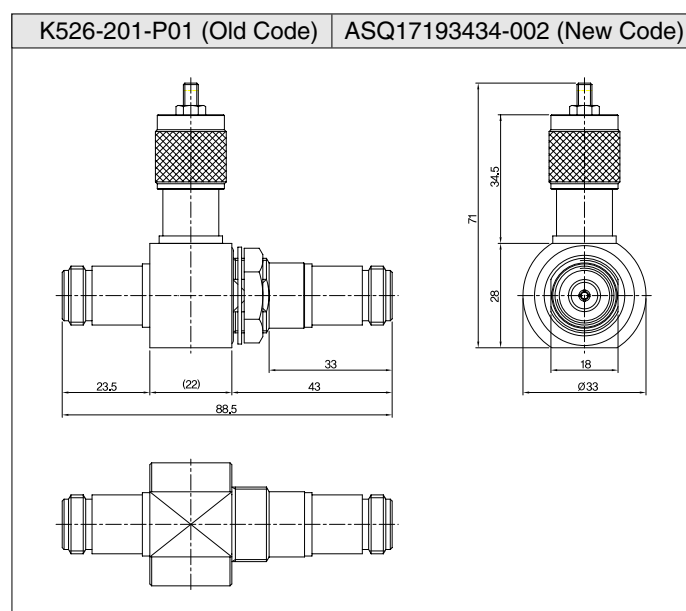
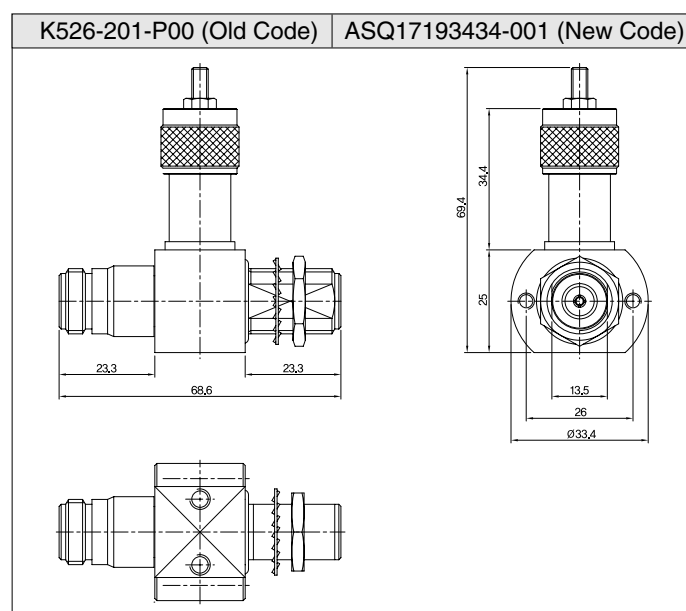
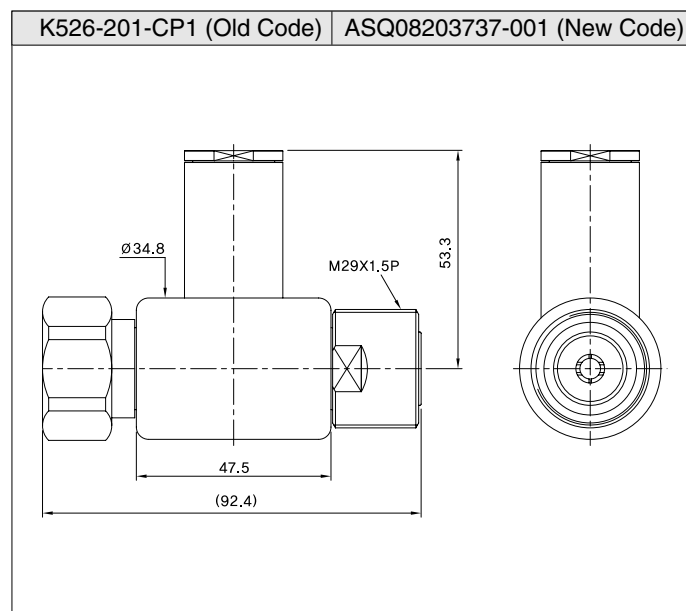
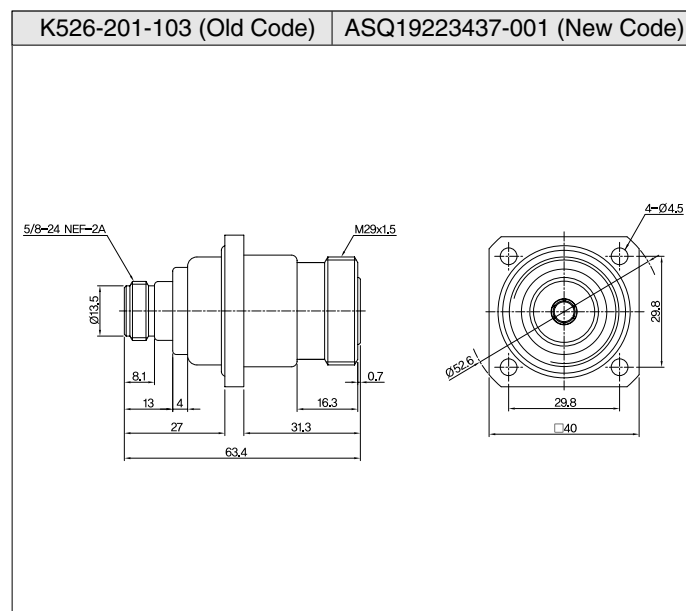
Unit : mm



Product Code (Old)	K526-201-010	K526-201-100	K526-201-101	K526-201-102
Product Code (New)	ASQ20263434-001	ASQ19223437-002	ASQ26273437-001	ASQ26273437-002
Frequency Range (MHz)	2000 ~ 2600	1900 ~ 2200	2630 ~ 2655	2630 ~ 2655
Insertion Loss (max)	0.5 dB	0.2 dB	0.2 dB	0.2 dB
VSWR (max)	1.20 : 1	1.10 : 1	1.20 : 1	1.20 : 1
Surge Current	1.2x50 μ S 6kV/3kA	1.2x50 μ S 6kV/3kA	1.2x50 μ S 6kV/3kA	1.2x50 μ S 6kV/3kA
Spark Voltage	-	-	-	-
Impedance	50 Ω	50 Ω	50 Ω	50 Ω
Input Power (max)	300 W	300 W	300 W	300 W
Temperature Range	-30°C ~ +60°C	-30°C ~ +70°C	-30°C ~ +70°C	-30°C ~ +70°C
Port Connector (IN/OUT)	N (F)	DIN (F)/N (F)	N (F)/DIN (F)	N (F)/DIN (F)

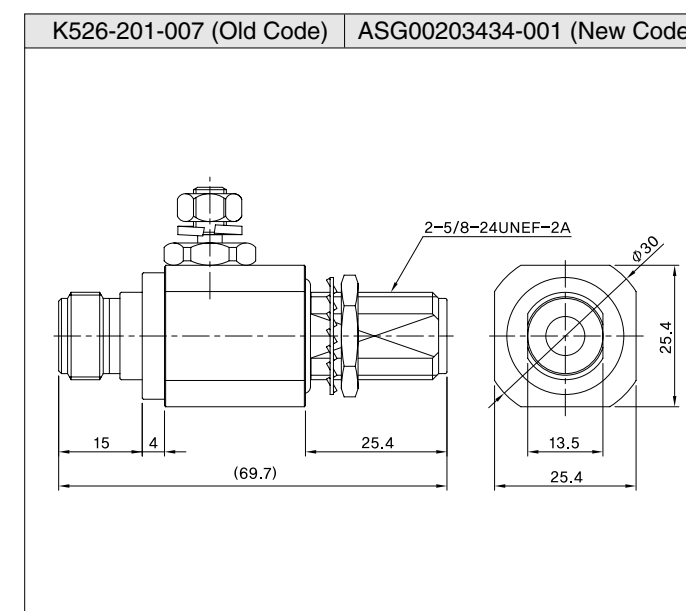
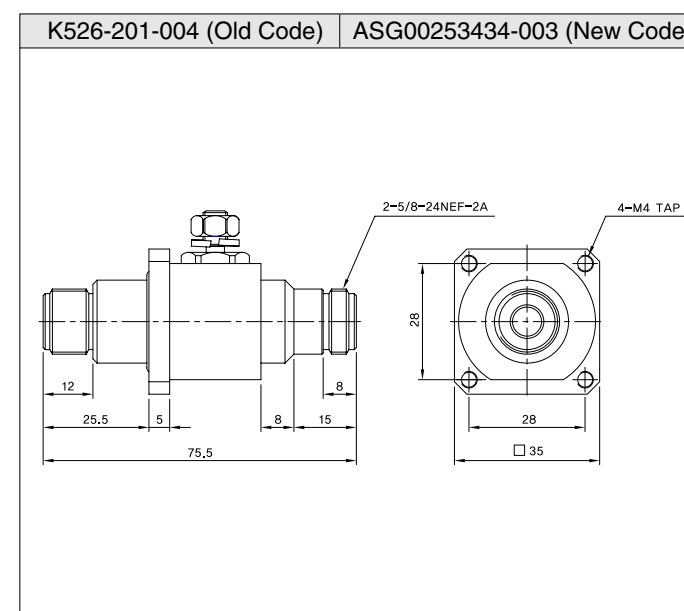
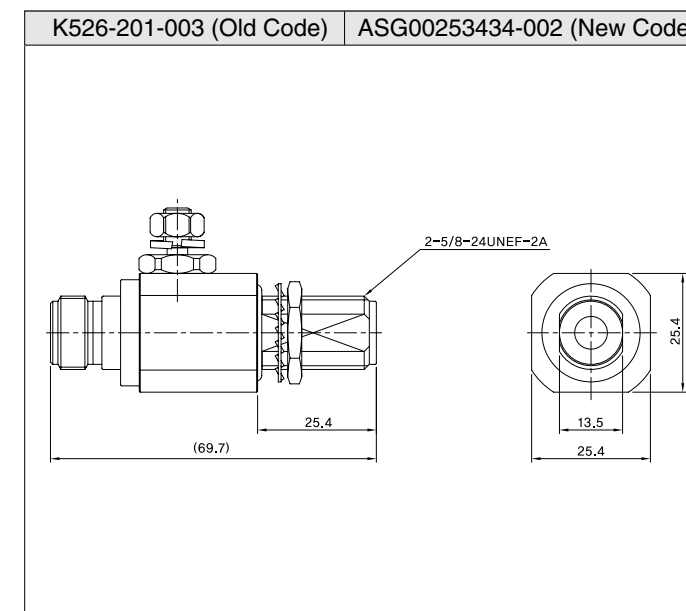
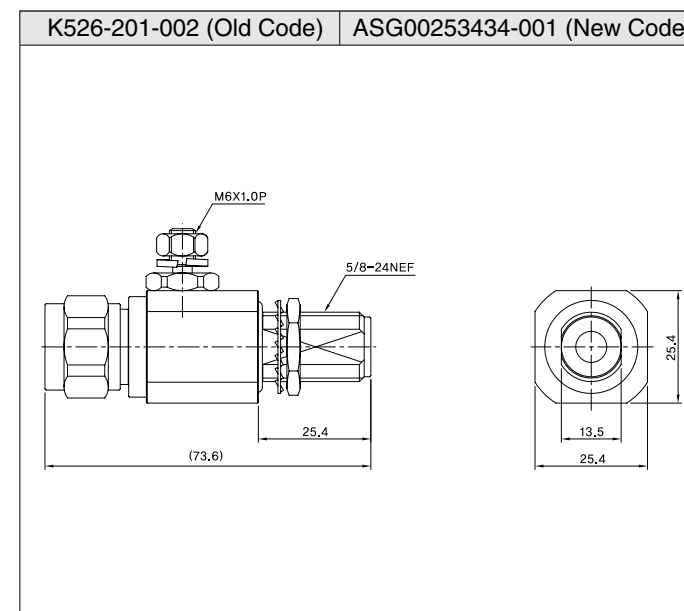
Arrestor (Gas tube)

Unit : mm



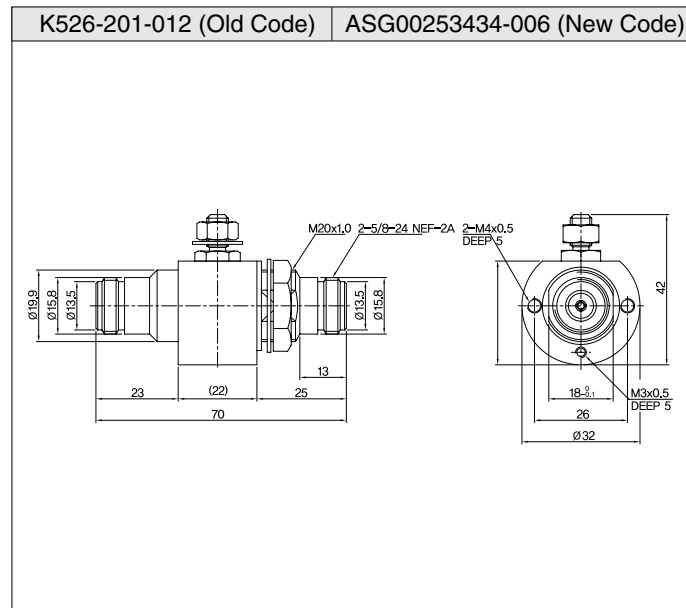
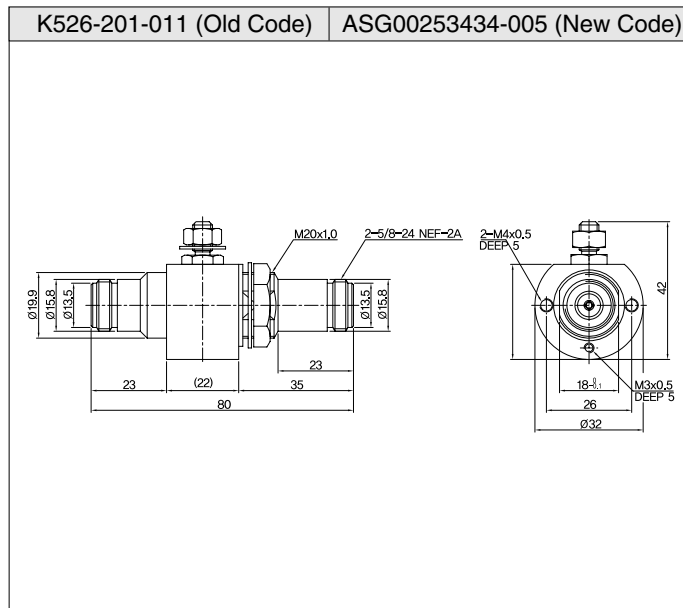
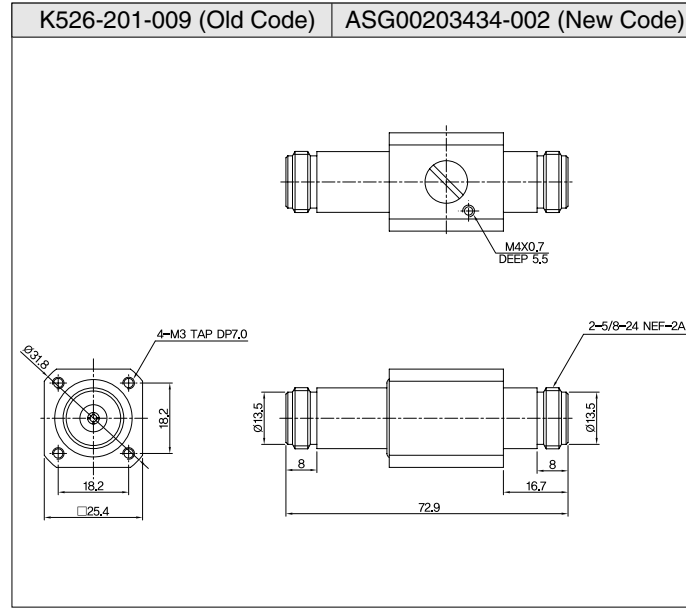
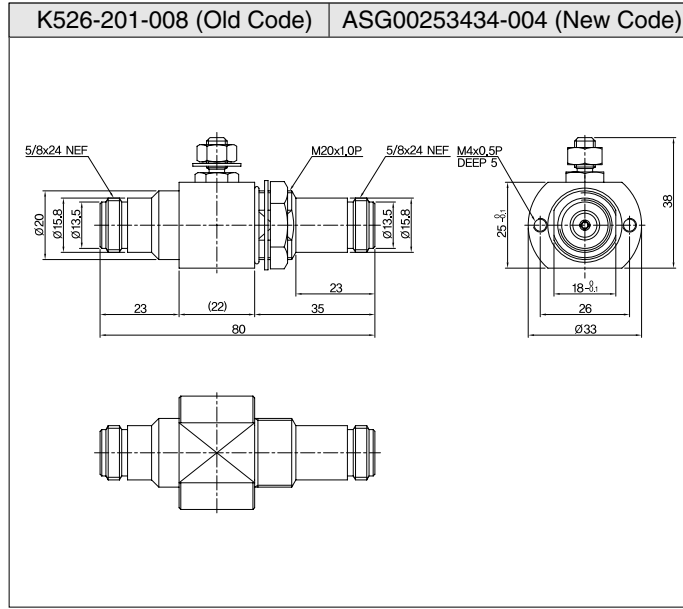
Product Code (Old)	K526-201-103	K526-201-CP1	K526-201-P00	K526-201-P01
Product Code (New)	ASQ19223437-001	ASQ08203737-001	ASQ17193434-001	ASQ17193434-002
Frequency Range (MHz)	1900 ~ 2200	800~1000, 1700~1990	1700 ~ 1900	1700 ~ 1900
Insertion Loss (max)	0.1 dB	0.2 dB	0.15 dB	0.2 dB
VSWR (max)	1.12 : 1	1.22 : 1	1.15 : 1	1.20 : 1
Surge Current	1.2x50 μ s 6kV/3kA	1.2x50 μ s 6kV/3kA	1.2x50 μ s 6kV/3kA	1.2x50 μ s 6kV/3kA
Spark Voltage	-	-	-	-
Impedance	50 Ω	50 Ω	50 Ω	50 Ω
Input Power (max)	300 W	300 W	300 W	300 W
Temperature Range	-30°C ~ +70°C	-30°C ~ +60°C	-45°C ~ +70°C	-30°C ~ +60°C
Port Connector (IN/OUT)	N (F)/DIN (F)	DIN (M)/DIN (F)	N (F)	N (F)

Unit : mm

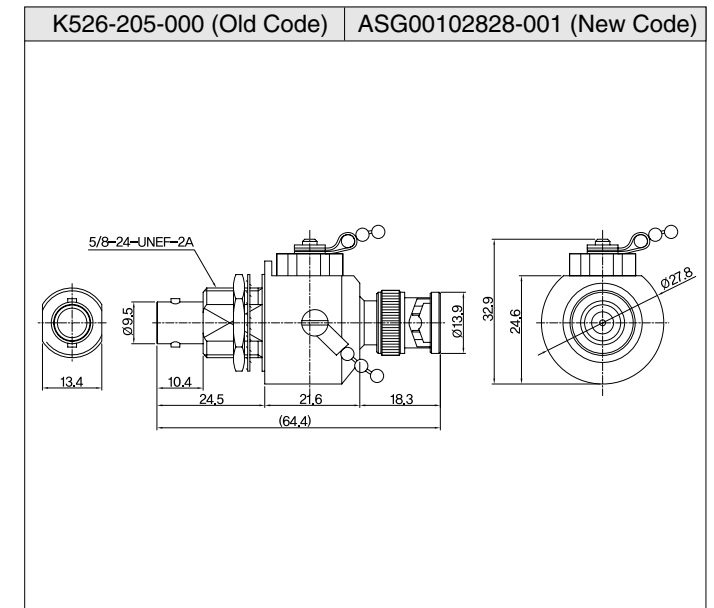
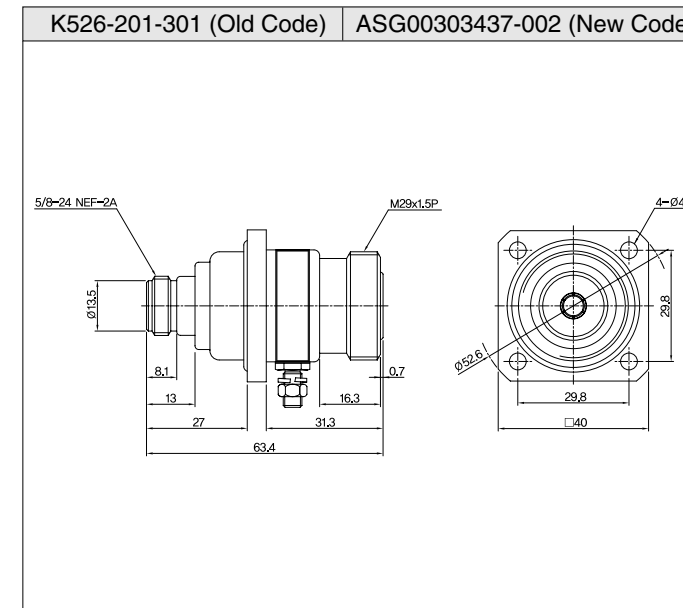
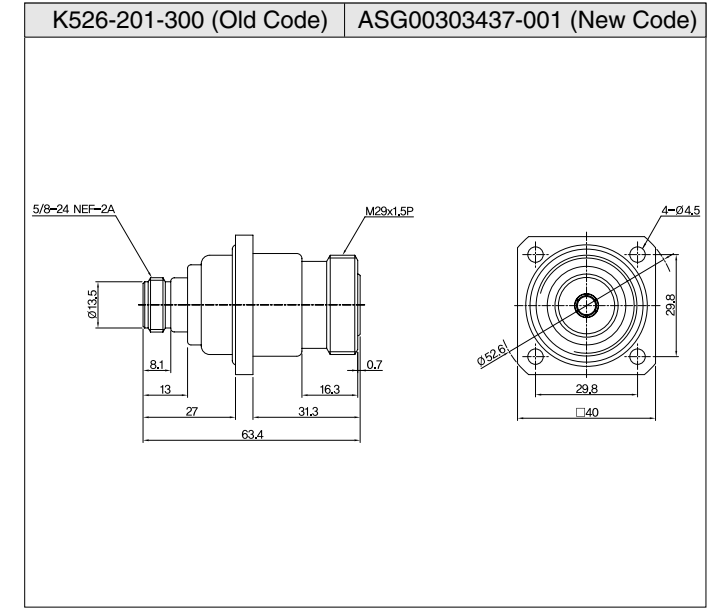
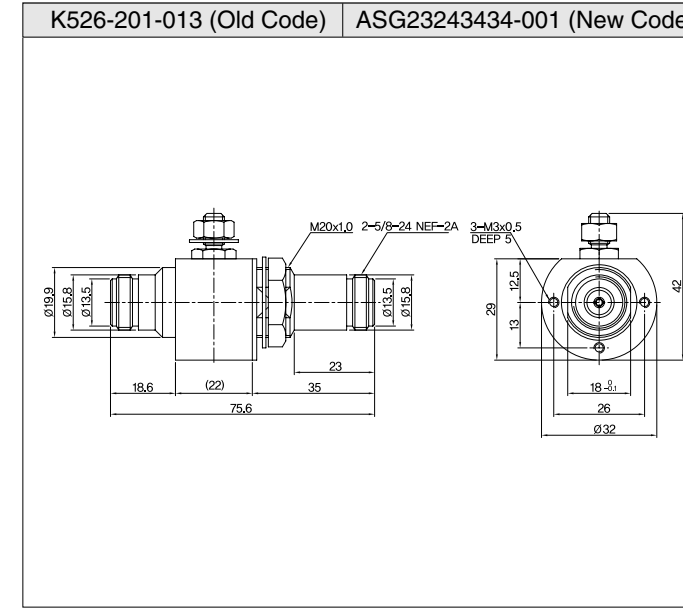


Product Code (Old)	K526-201-002	K526-201-003	K526-201-004	K526-201-007
Product Code (New)	ASG00253434-001	ASG00253434-002	ASG00253434-003	ASG00203434-001
Frequency Range (MHz)	DC ~ 2500	DC ~ 2500	DC ~ 2500	DC ~ 2000
Insertion Loss (max)	0.2 dB	0.2 dB	0.2 dB	0.2 dB
VSWR (max)	1.10 : 1	1.10 : 1	1.15 : 1	1.10 : 1
Surge Current	1.2x50 μ s 6kV/3kA	1.2x50 μ s 6kV/3kA	8/20 μ s 5kV(Impulse)	1.2x50 μ s 6kV/3kA
Spark Voltage	DC230 \pm 20%	DC230 \pm 20%	DC230 \pm 20%	DC230 \pm 20%
Impedance	50 Ω	50 Ω	50 Ω	50 Ω
Input Power (max)	300 W	300 W	100 W	300 W
Temperature Range	-20°C ~ +60°C	-20°C ~ +60°C	-45°C ~ +125°C	-20°C ~ +60°C
Port Connector (IN/OUT)	N (M)/N (F)	N (F)	N (F)	N (F)

Unit : mm



Unit : mm



Product Code (Old)	K526-201-008	K526-201-009	K526-201-011	K526-201-012
Product Code (New)	ASG00253434-004	ASG00203434-002	ASG00253434-005	ASG00253434-006
Frequency Range (MHz)	DC ~ 2500	DC ~ 2000	DC ~ 2500	DC ~ 2500
Insertion Loss (max)	0.2 dB	0.1 dB	0.15 dB	0.15 dB
VSWR (max)	1.20 : 1	1.20 : 1	1.15 : 1	1.15 : 1
Surge Current	1.2x50 μ s 6kV/3kA	8/20 μ s 10kV(Impurse)	1.2x50 μ s 6kV/3kA	1.2x50 μ s 6kV/3kA
Spark Voltage	DC230 \pm 20%	2100V \pm 20%	2100V \pm 20%	2100V \pm 20%
Impedance	50 Ω	50 Ω	50 Ω	50 Ω
Input Power (max)	300 W	300 W	300 W	300 W
Temperature Range	-30 $^{\circ}$ C ~ +70 $^{\circ}$ C	-30 $^{\circ}$ C ~ +60 $^{\circ}$ C	-30 $^{\circ}$ C ~ +70 $^{\circ}$ C	-20 $^{\circ}$ C ~ +70 $^{\circ}$ C
Port Connector (IN/OUT)	N (F)	N (F)	N (F)	N (F)

Product Code (Old)	K526-201-013	K526-201-300	K526-201-301	K526-205-000
Product Code (New)	ASG23243434-001	ASG00303437-001	ASG00303437-002	ASG00102828-001
Frequency Range (MHz)	2300 ~ 2400	DC ~ 3000	DC ~ 3000	DC ~ 1000
Insertion Loss (max)	0.2 dB	0.2 dB	0.2 dB	0.1 dB
VSWR (max)	1.12 : 1	1.12 : 1	1.12 : 1	1.10 : 1
Surge Current	1.2x50 μ s 6kV/3kA	1.2x50 μ s 6kV/3kA	1.2x50 μ s 6kV/3kA	1.2x50 μ s 6kV/3kA
Spark Voltage	2100V \pm 20%	2100V \pm 20%	2100V \pm 20%	DC230 \pm 20%
Impedance	50 Ω	50 Ω	50 Ω	50 Ω
Input Power (max)	300 W	300 W	300 W	300 W
Temperature Range	-30 $^{\circ}$ C ~ +70 $^{\circ}$ C	-30 $^{\circ}$ C ~ +70 $^{\circ}$ C	-30 $^{\circ}$ C ~ +70 $^{\circ}$ C	-20 $^{\circ}$ C ~ +60 $^{\circ}$ C
Port Connector (IN/OUT)	N (F)	N (F)/DIN (F)	N (F)/DIN (F)	BNC (F)/BNC (M)